



The TANDBERG TT7116 Streamer adapts MPEG-2 digital television signals for streaming across IP networks. The TT7116 is a core building block in any FTTx/DSL video turnaround head-end solution.



Business Benefits

- Compact solution handling extensive number of streams and services
- Flexible architecture allows expansion as your system evolves
- Field proven, reliable solution with low cost of ownership
- Unique solution for reuse of Event Information Table data in combination with iTTV Portal
- Extensive set of option cards available

Application

Broadband: Fibre-to-the-home, DSL and private networks

The TT7116 Streamer is an essential building block in IP-based broadband systems. The main task of the TT7116 is to take incoming Multi-Program Transport Streams (MPTS) and de-multiplex them into Single-program Transport Streams (SPTS) suitable for transmission over IP broadband networks.

The TANDBERG TT7116 Streamer is part of the TANDBERG Television's iTTV Concept, which includes a delivery platform with descramblers, IP streamers, encoders, bit-rate changers, video-on-demand (VOD) servers, head-end management and a portal software package.

Base unit

- Streaming from DVB ASI to 100Base-T Ethernet output.
- Multi-Program Transport Stream (MPTS) to Single-Program Transport Stream (SPTS) splitting including automatic regeneration of PSI/SI for each SPTS.
- Full control of services to stream mapping and PSI/SI configuration.
- Fully DVB-compliant IP streaming with support for both RTP and UDP.
- User-friendly configuration and control through the TANDBERG Device Controller (TDC). Standalone control through web.

Options

Content Extractor

The Content Extractor module extracts incoming DVB Event Information Tables. The module also generates thumbnail pictures from the incoming video streams.

MPEG-2 Bit-rate Changer

The MPEG-2 bit-rate changer (BRC) module is capable of changing the bit-rate of one video channel.

MPEG-2 Video Encoder

This cost-efficient, high-quality MPEG-2 video encoder is able to encode one TV service.

QPSK Demodulator

A QPSK demodulator for direct satellite reception is available as an option.

Descrambling

The TT7116 can be delivered with integrated descrambling of major CA systems.

MPEG-2 Video Decoding

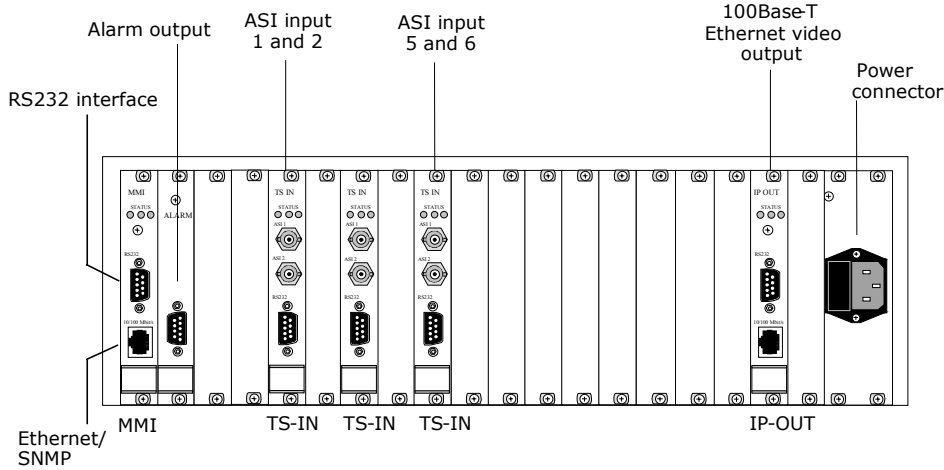
An MPEG-2 decoding module is available to operate in conjunction with MPEG-2 Video Encoder option module, thus creating an efficient Decode/Recode solution.

Content Protection

A scrambling module with a dedicated SimulCrypt interface port compatible with major Conditional Access systems is available to protect the TV services.



Sample configuration:



INPUTS	Up to 32 DVB ASI electrical inputs
OUTPUTS	Up to 4 100BaseT Ethernet outputs Max. 90 Mb/s with MPEG-2 data and 64 services for each output
FEATURES	Splitting of MPEG-2 Multi-Program Stream (MPTS) into max. 128 Single Program Streams (SPTS) PSI/SI regeneration for each SPTS Component filtering PID remapping Mapping of each SPTS into UDP/IP unicast or multicast streams IP multicast support according to RFC1112/2236 Protocols supported: 802.3 Ethernet, RTP, ARP, IP, ICMP, IGMPv2, TCP/UDP, Telnet, SNMP
CONTROL	Element control through HTTP/web System control through TANDBERG Device Controller (TDC) using dedicated 100BaseT Ethernet port. SNMP traps for integration with NMS systems.

PHYSICAL AND POWER	Input voltage: Input voltage: 100-240Vac Input voltage option: -48Vdc power supply Dimensions: (W x D x H) 483 x 350 x 132.5mm (19" x 13.7" x 3RU)
ENVIRONMENTAL	Operating temperature: 0°C to +45°C (32°F to 113°F) Storage temperature: -20°C to +70°C (-4°F to 158°F) Relative humidity: 5% to 95% (non-condensing) Cooling: Convection, top and bottom panel perforated
COMPLIANCE	CE marked in accordance with low voltage directive (LVD) 73/23/EEC and EMC directive 89/336/EEC
OPTIONS	ASI Input Module Content Extractor Module (for iTTV Portal): Bit-rate changer Module QPSK demodulator Module TS Descrambler Module MPEG-2 Video Encoder Module MPEG-2 Video Decoder Module Scrambler Module ASI Output Module Fast Ethernet Output Module TS/AAL5/ATM Output Module

TANDBERG Television maintains a policy of product improvement and reserves the right to modify the specifications without prior notice. ©TANDBERG Television Ltd 2004. All rights reserved.